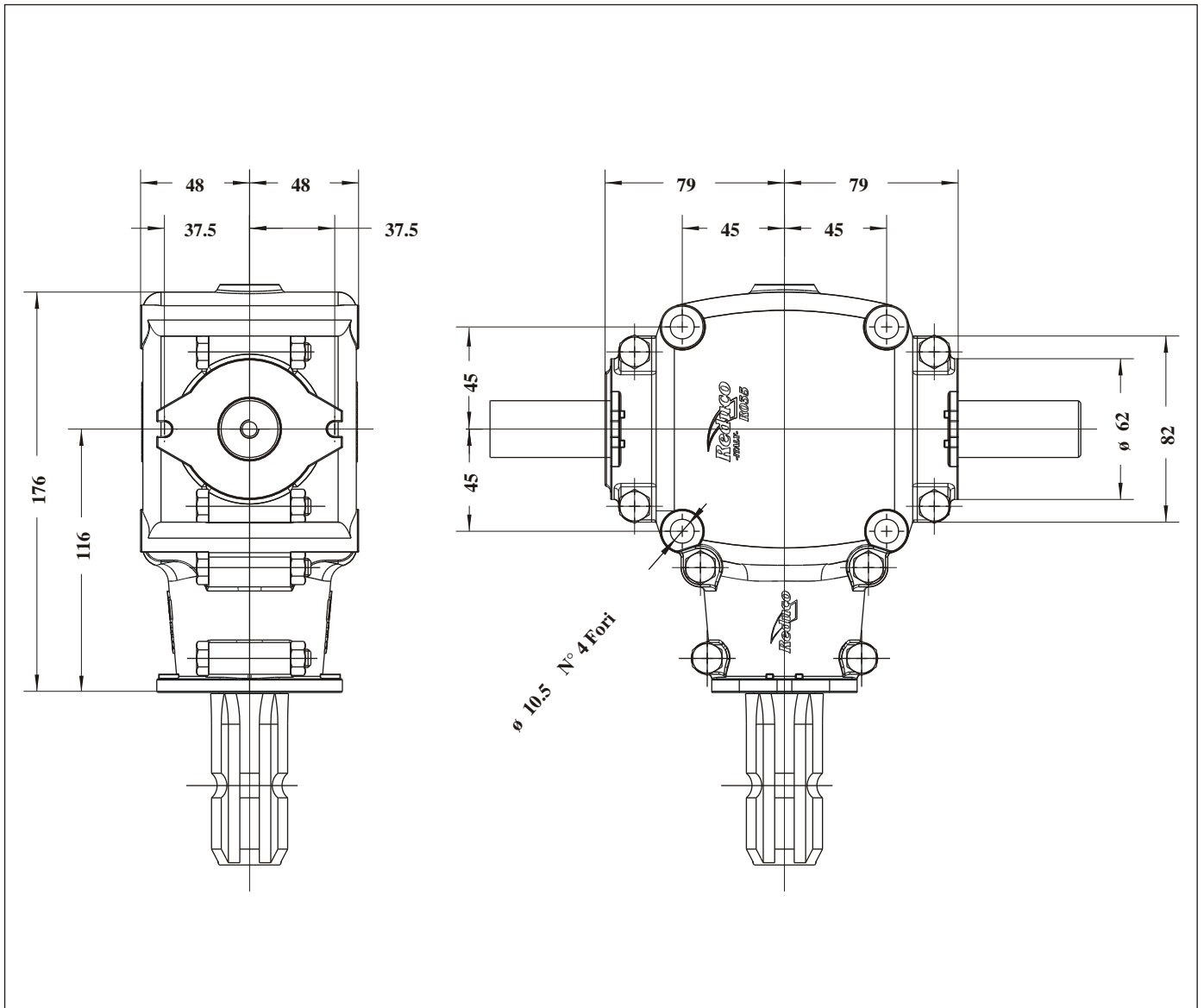


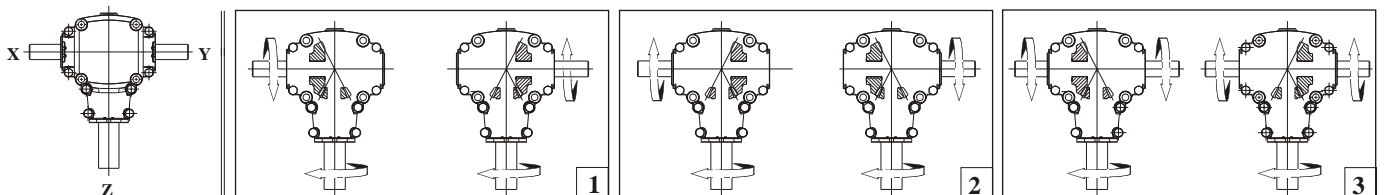


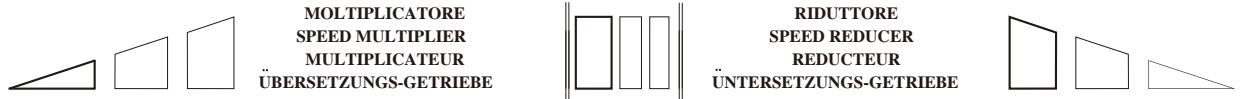
DIMENSIONI - DIMENSION - DIMENSIONS - BAUGROSSEN



	MASSA MASS MASSE	Kg.4.5
	LUBRIFICANTE LUBRICANT LUBRIFIANT SCHMIERSTOFF	SAE 90 EP 0.2 Lt.

CONFIGURAZIONI - CONFIGURATION - CONFIGURATIONS - BAUFORMEN





Rapporto Ratio Rapport Übers.-verh.	1:4.08	1:3.25	1:2.75	1:1.92	1:1.35	1:1	1.35:1	1.92:1	2.75:1	3.25:1	4.08:1
Giri - r.p.m. U/min	540 1000	540 1000	540 1000	540 1000	540 1000	540 1000	540 1000	540 1000	540 1000	540 1000	540 1000
Kw	- -	5 8	8 10	9 14	12 16	13 18	10 15	6 9	4 6	2 3	- -
HP	- -	7 11	11 14	13 20	16 22	18 24	13 20	8 12	5 8	3 4	- -
DaNm	- -	9 8	14 10	17 14	22 16	24 17	18 15	10 9	7 6	4 3	- -

DURATA STIMATA A 540 giri/min - ESTIMATED LIFE AT 540 rpm - DUREE DE VIE ESTIMEE A 540 Tours/m - LEBENSDAUER ca. 540 U/min

